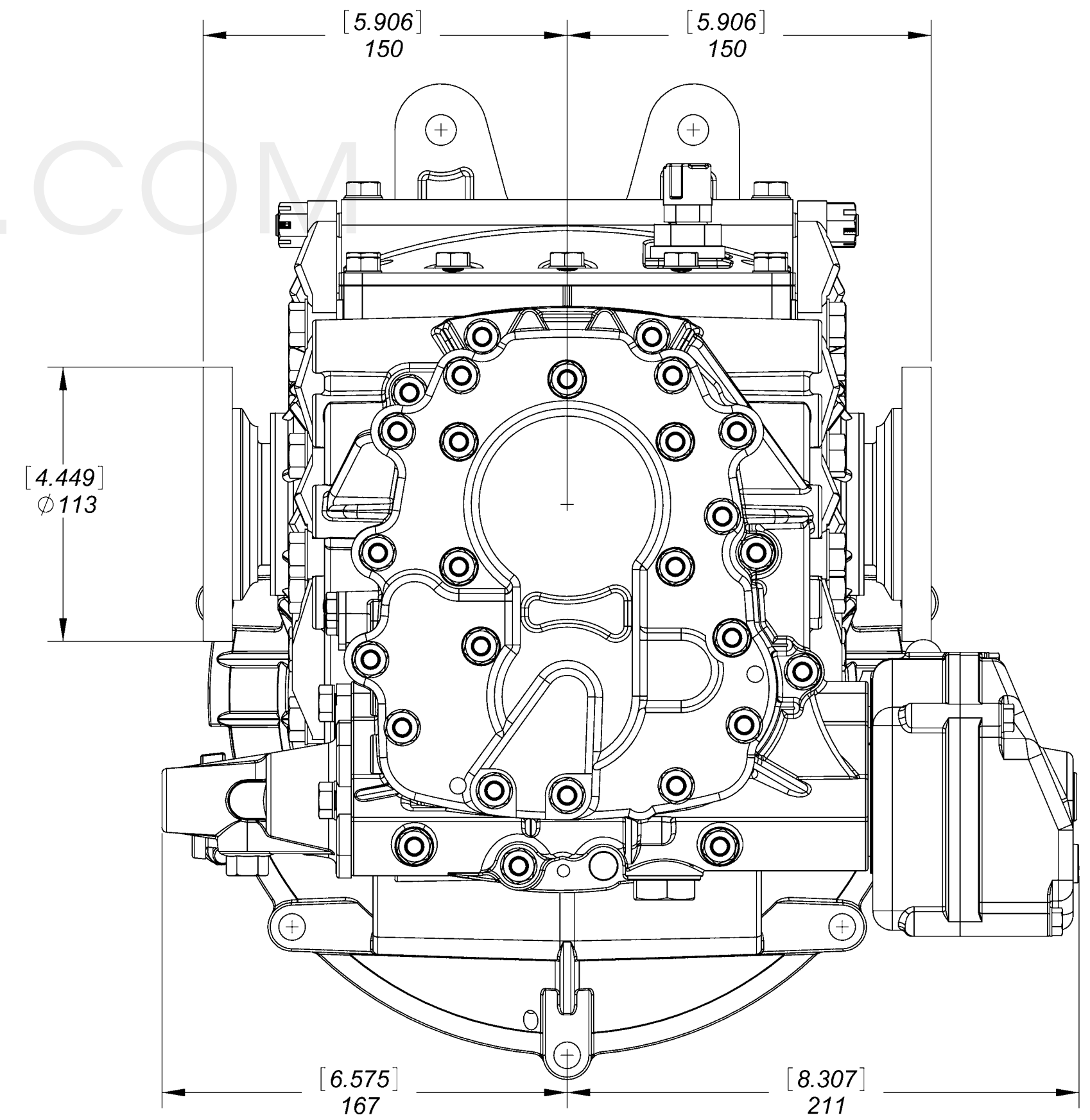
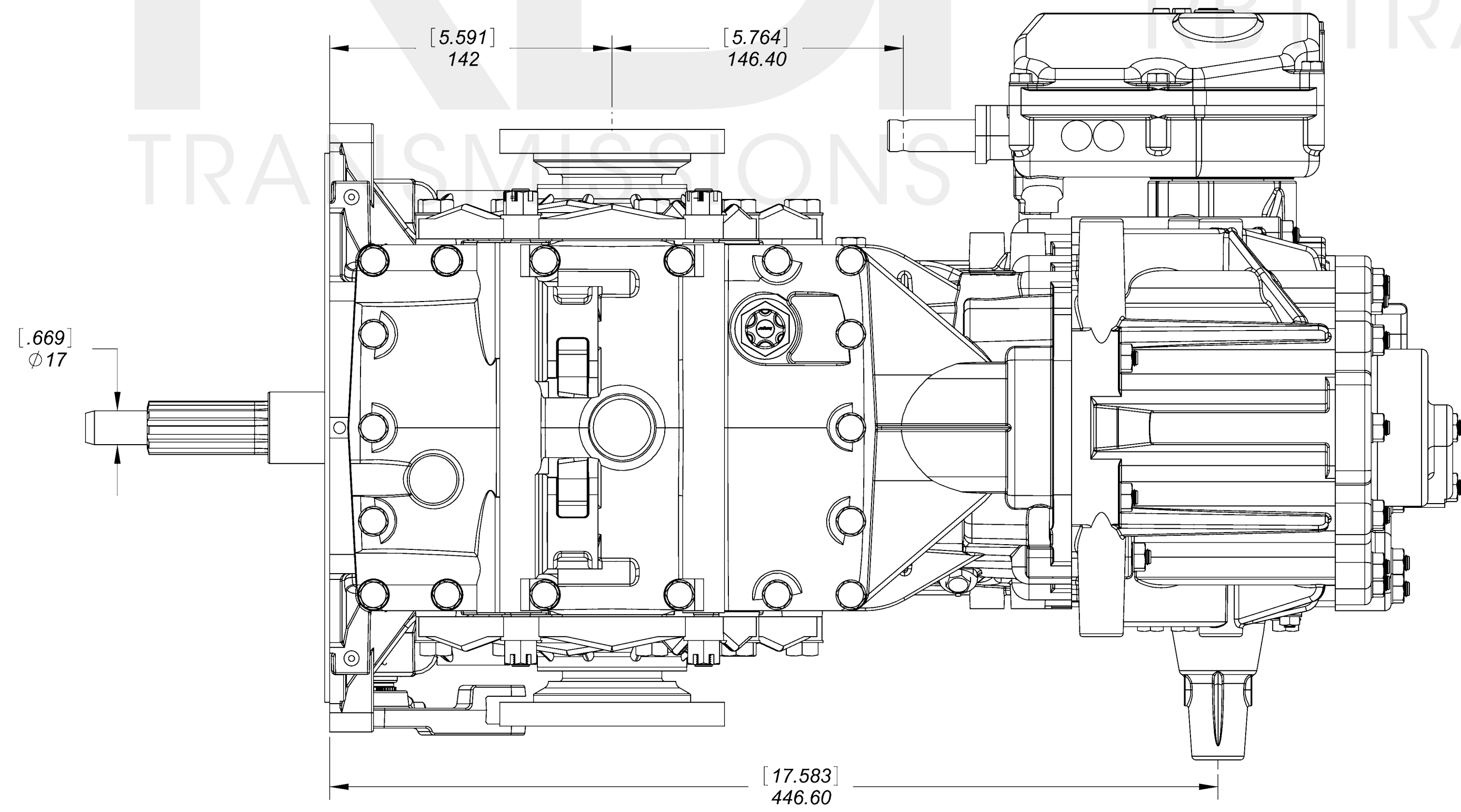
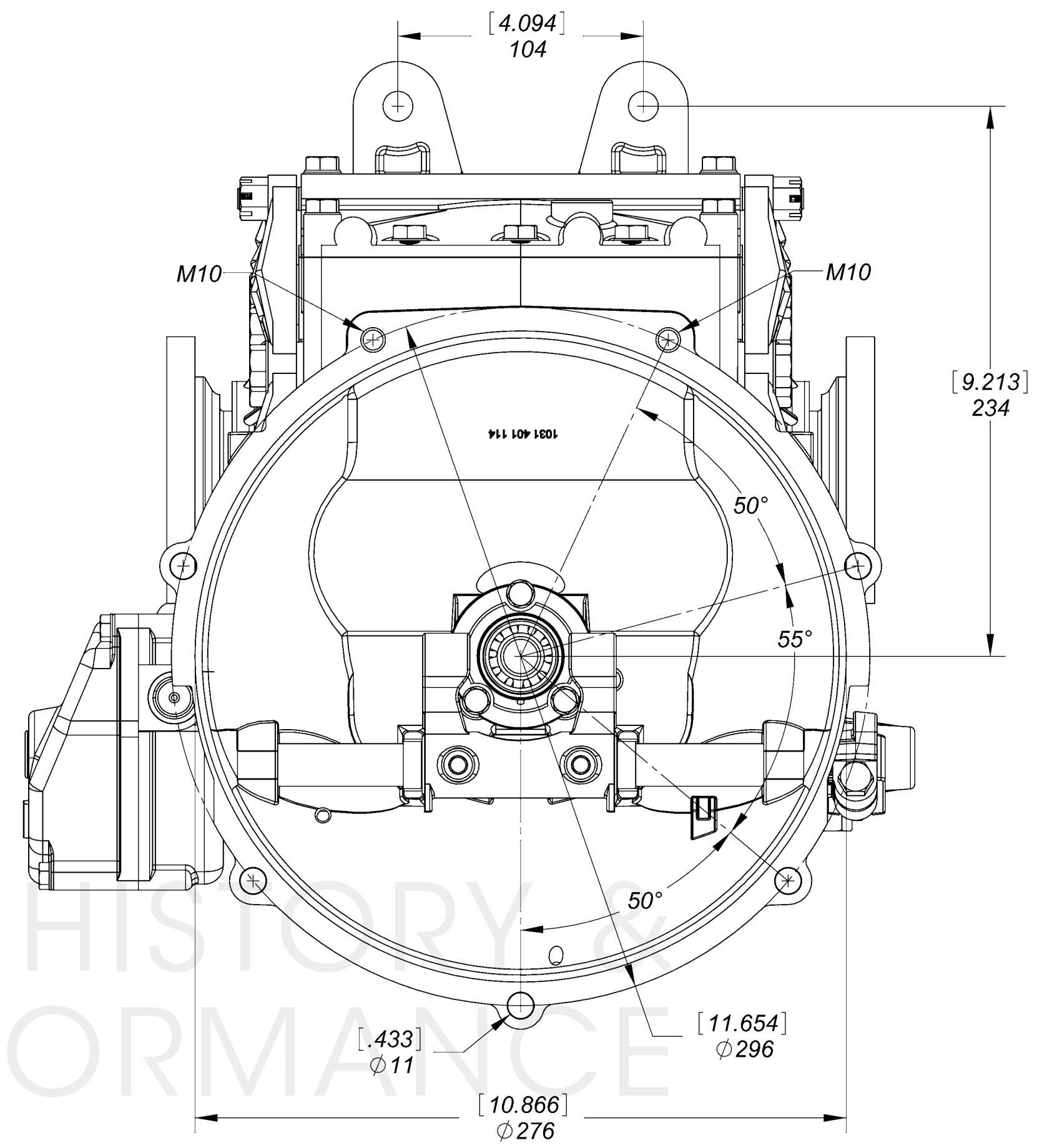
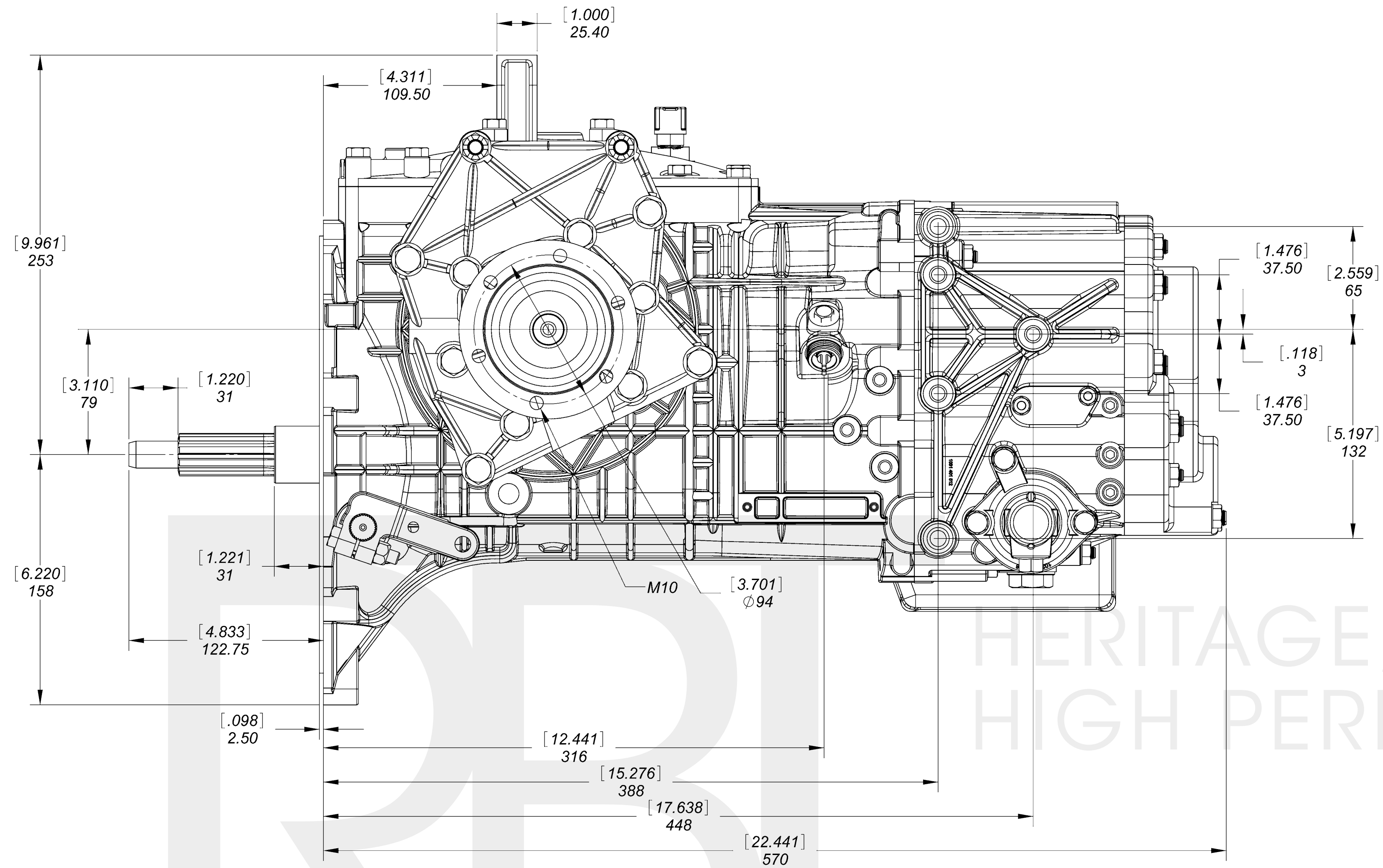


- NOTES:
 1) SHOWN WITH OPTIONAL CLUTCH ASSEMBLY
 2) SHAFT PILOT, SPLINE SIZE, & LENGTH ARE OPTIONAL
 3) SPEEDOMETER OPTIONS: MECHANICAL OR OPTICAL PICKUP
 4) COVER OPTIONS: TABBED OR SMOOTH
 5) GUIDE TUBE OPTIONS: DIAMETER AND LENGTH



5 SPEED TRANSAXLE
 GENERAL
 INSTALLATION

REV:	
DWG NO:	5 SPEED
SCALE:	1:1
SHEET:	1 OF 1